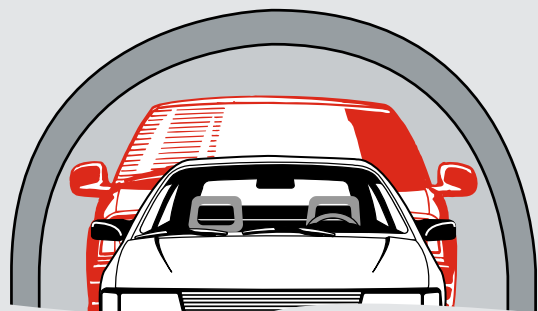
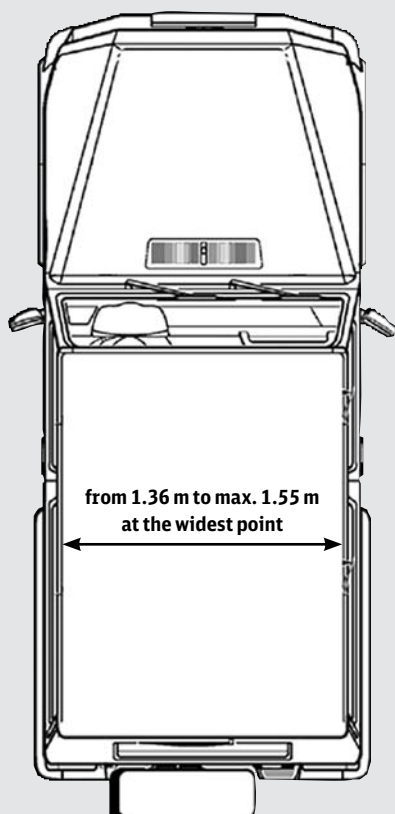


Why is it so important that you state the width of your car roof for a journey with DB Autozug?



How to measure the roof width of your jeep or van:



If you drive ...

... a small or medium-sized car, saloon or estate car, the roof width is within the standard range and is therefore of no further relevance. Only the height of your vehicle has to be taken into account for the different countries.

Information about the individual countries:

[click here](#)

Vehicles which are higher than 1.58 m ...

... are always carried on the upper deck. Each vehicle is allocated a safe place on the vehicle carrier, depending on its height and roof width.



Please note

If you have a vehicle with a wide roof, such as a jeep or a van (e.g. Ford S-Max, Renault Espace, Landrover etc.), it is very important that you inform us of the exact dimensions to prevent accidents when the train goes through a tunnel.

The height, width and length of your vehicle ...

... are stated in the car registration document. The roof width, however, is not stated there. Please measure the width of the roof yourself.

For roof widths between 1.36 m and 1.55 m ...

... there is enough room for vehicles with the following heights:

- in Germany and Austria up to 1.96 m
- in France up to 1.71 m
- in Italy
 - Alessandria up to 1.73 m
 - Bolzano, Verona, Trieste up to 1.85 m

We regret that DB Autozug cannot carry vehicles with a roof width of more than 1.55 m.